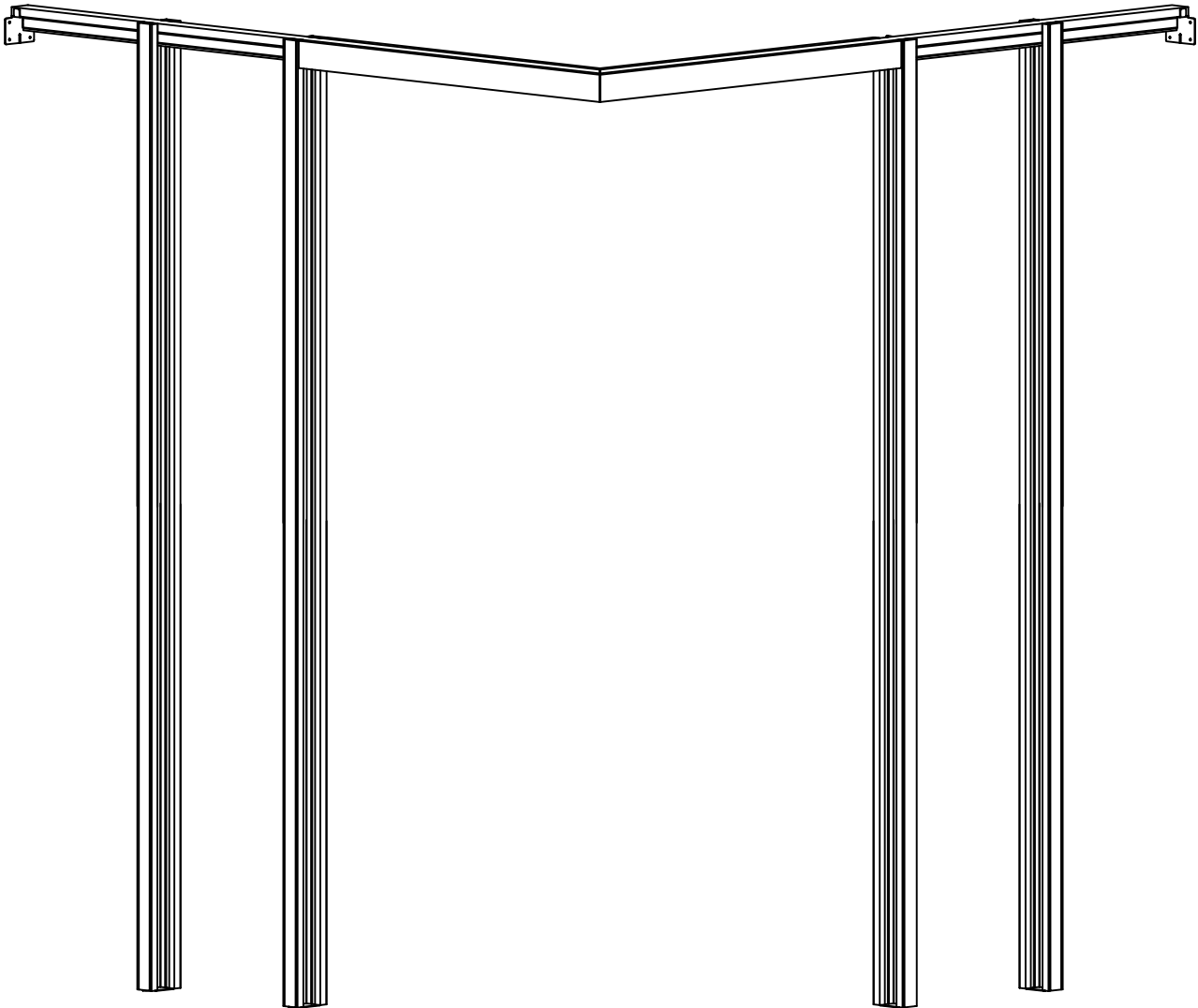


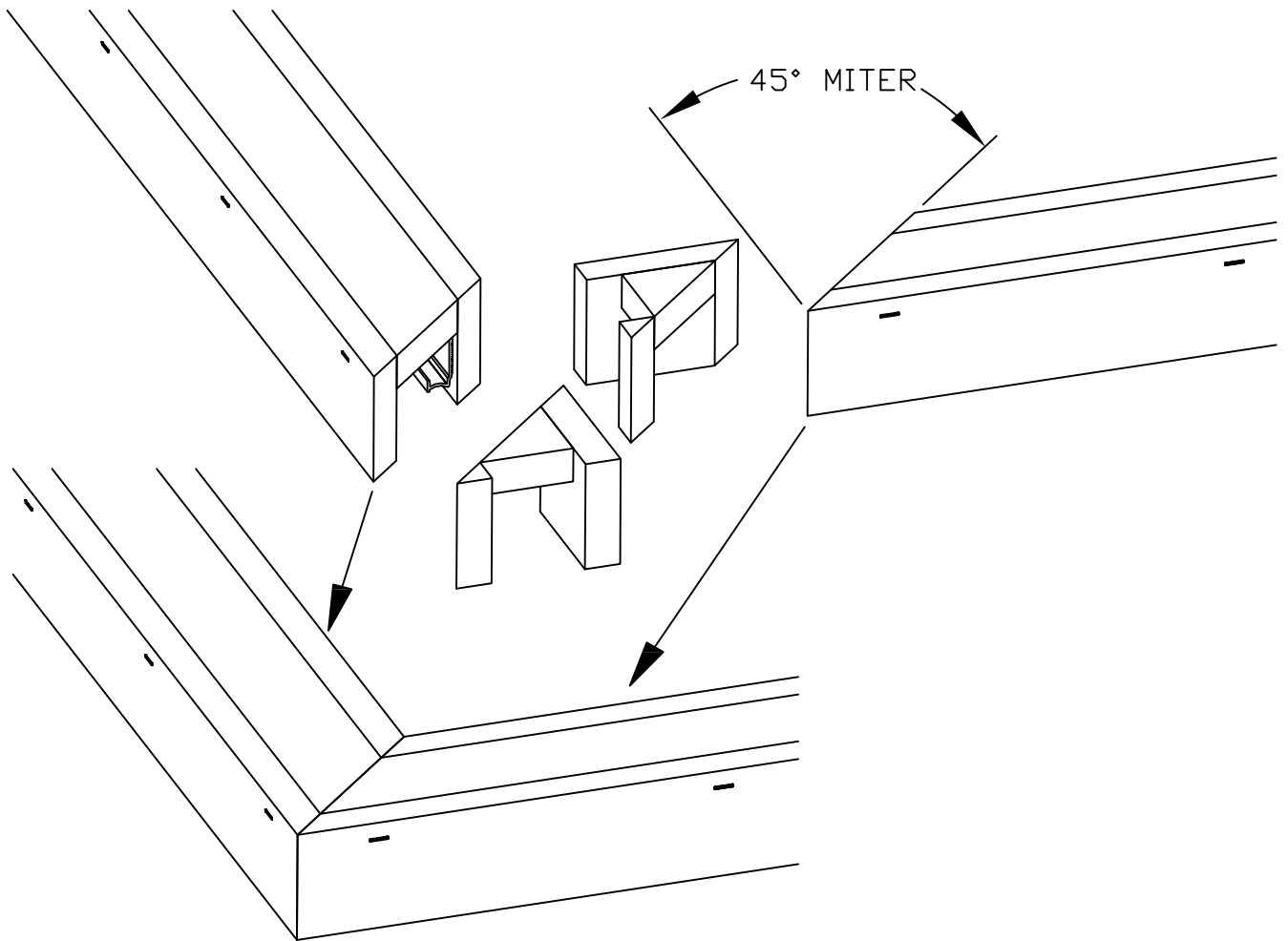


www.johnsonhardware.com

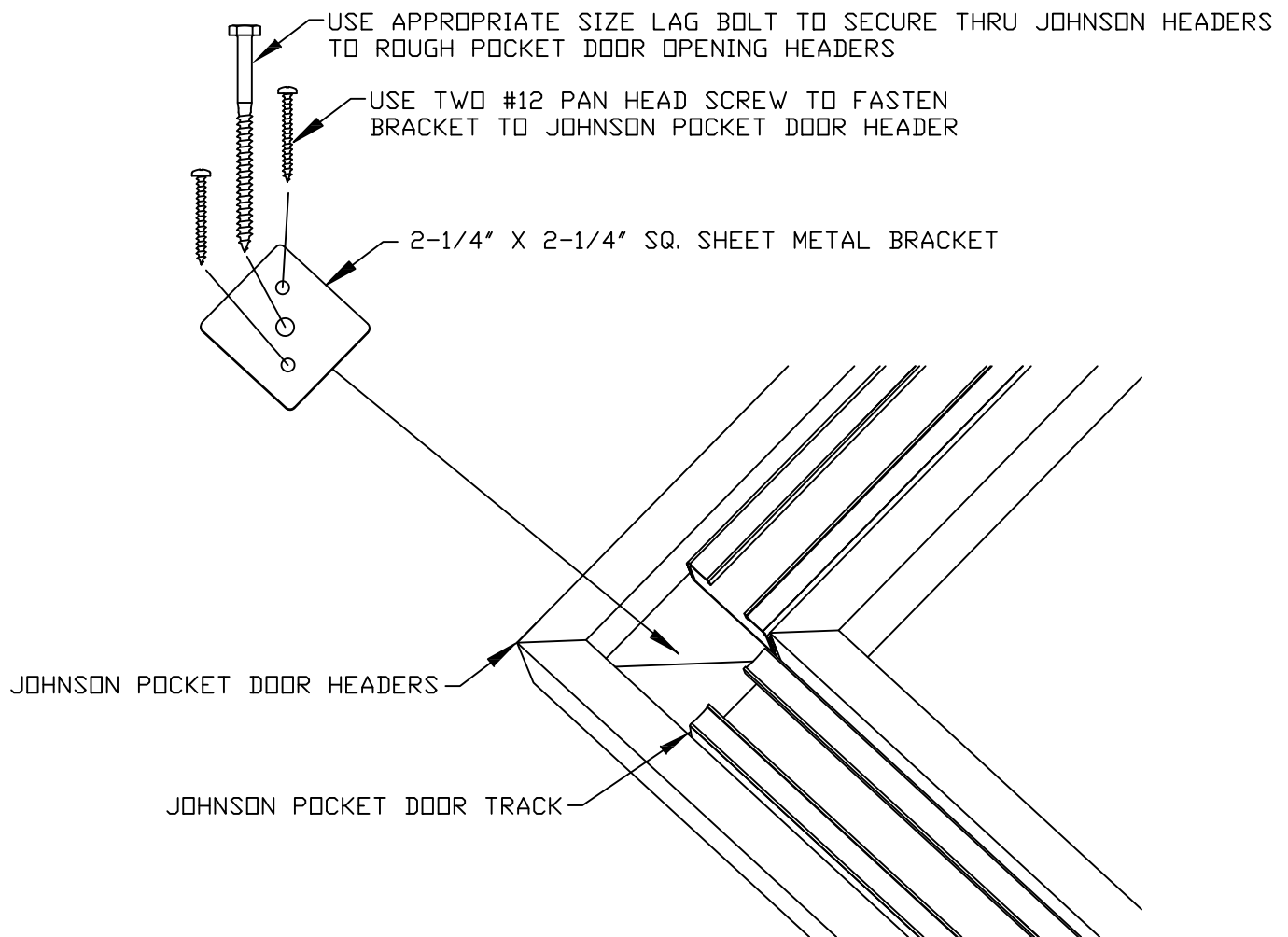
INSTRUCTIONS

CONVERGING CORNER 1500 SERIES POCKET





MITER JOHNSON POCKET DOOR HEADER ON 45°



ATTACHING JOHNSON POCKET DOOR HEADERS TO ROUGH OPENING

