

100SD/134F/138F/2610F Sliding Door Instructions:

Minimum Door Thickness 1" (25mm)
 Soft Close or Soft Open only, Minimum Door Width 18" (457mm).
 Soft Close and Soft Open, Minimum Door Width is 24" (610mm).

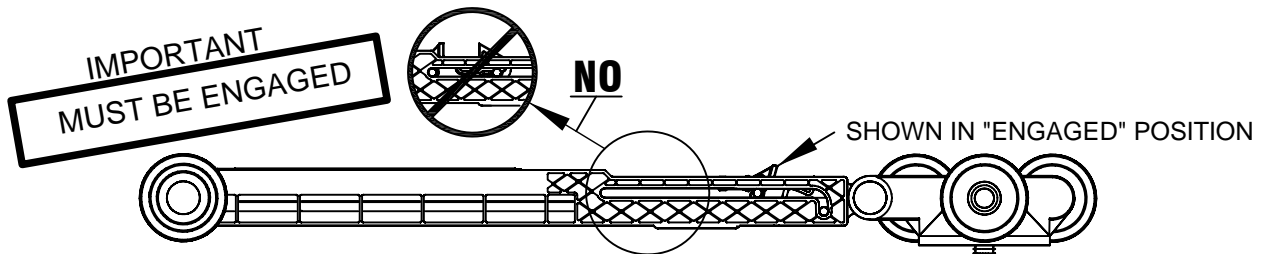
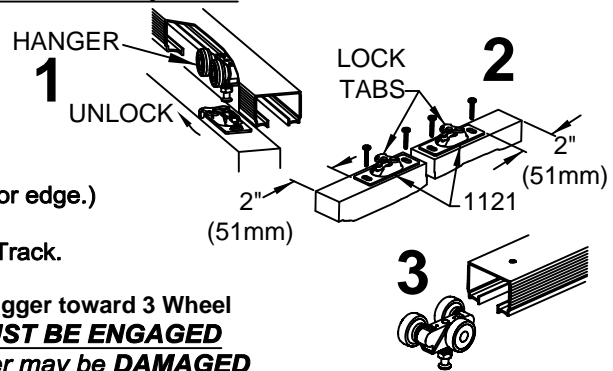
Following steps are for soft close or soft open.

1 IF TRACK is already installed disconnect Hangers from Door Plates and remove door. If 1060 cannot be inserted though end of track, take track down. Remove Hangers from track-Remove Door Plates from door.

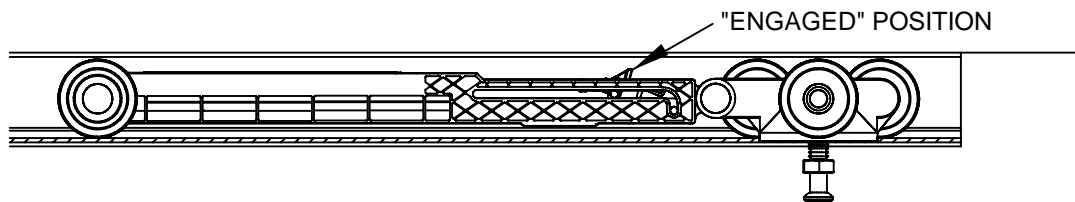
2 ATTACH 1121 Door Plates 2" (51mm) from door edge. (18-24" Door: Attach Door Plates 1/2" (12.5mm) from door edge.)

3 INSERT 1125 Ball Bearing Hanger Wheel assembly into Track.

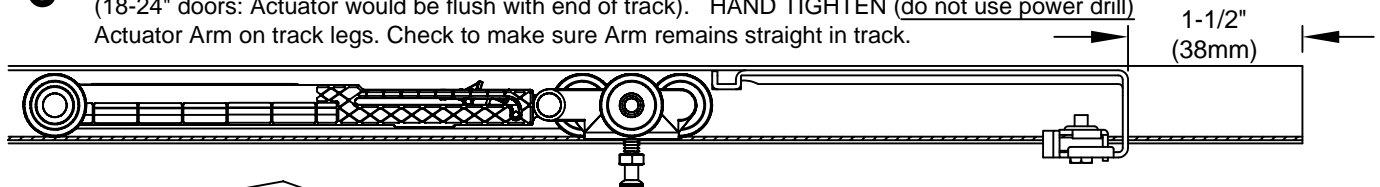
4 Engage Soft Close Dampener by pushing Dampener trigger toward 3 Wheel Roller. *This step is very important. **DAMPENER MUST BE ENGAGED** or soft close will not work, 1060 Soft Close Dampener may be **DAMAGED** if installed incorrectly. Door will have to be removed and installation of 1060 will have to begin again.*



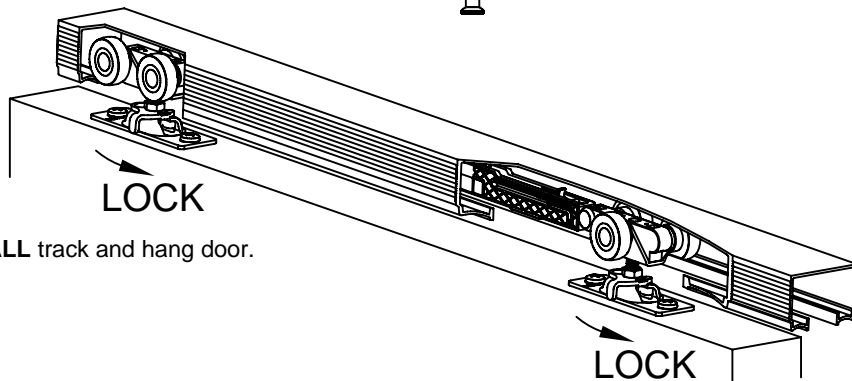
5 INSERT 1060 into Track. (Idle wheels first).



6 INSERT 1060 Actuator Arm into track, with back of Actuator Arm 1-1/2" (38mm) from end of track, (18-24" doors: Actuator would be flush with end of track). **HAND TIGHTEN** (do not use power drill) Actuator Arm on track legs. Check to make sure Arm remains straight in track.



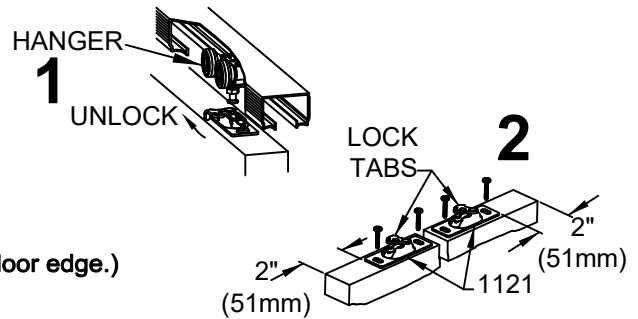
7 INSTALL track and hang door.



8 **SLOWLY** slide door toward Jamb, checking to make sure door touches Jamb, if not. Slide door away from Jamb and readjust Actuator Arm. Slowly close door again, checking to make sure soft close is working properly. Once confirmed, begin using door normally.

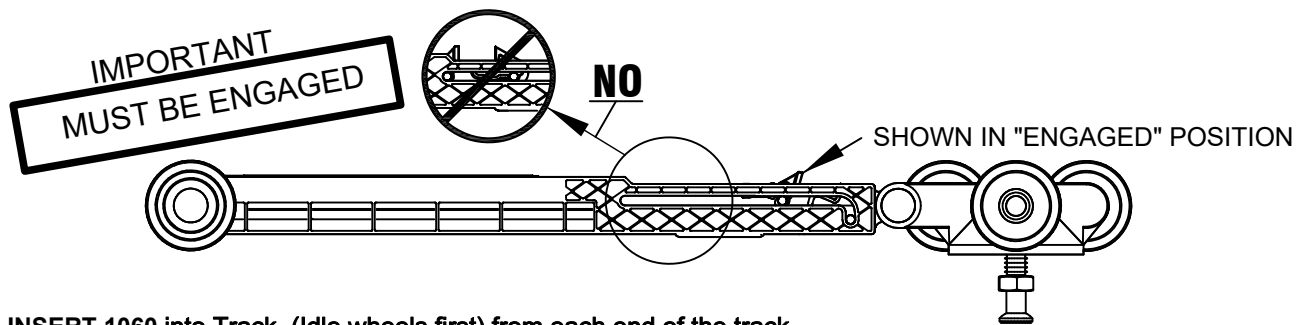
Following steps are for soft close and open.

- 1** IF TRACK is already installed disconnect Hangers from Door Plates and remove door. If 1060 cannot be inserted though end of track, take track down. Remove Hangers from track-Remove Door Plates from door.

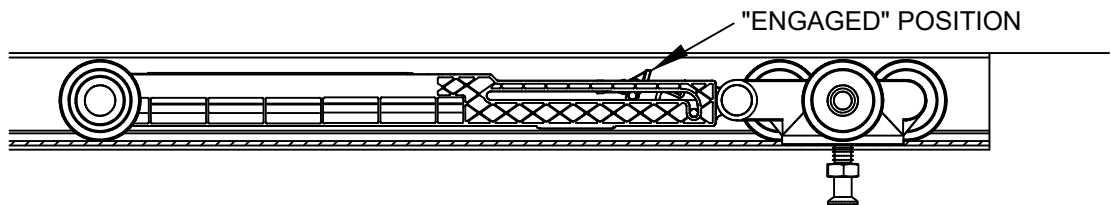


- 2** ATTACH 1121 Door Plates 2" (51mm) from door edge.
(24" Door: Attach 1121 Door Plates 1/2" (12.5mm) from door edge.)

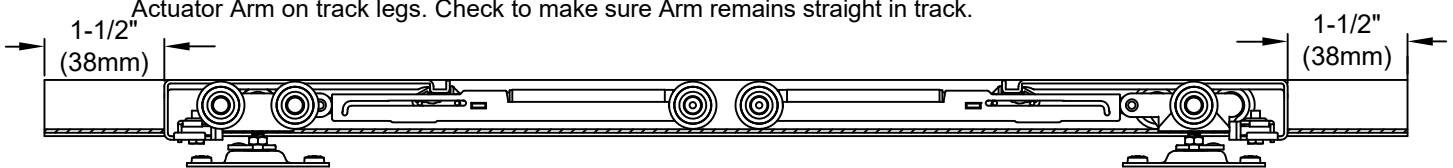
- 3** Engage Soft Close Dampener by pushing Dampener trigger toward 3 Wheel Roller. *This step is very important. **DAMPENER MUST BE ENGAGED** or soft close will not work, 1060 Soft Close Dampener may be **DAMAGED** if installed incorrectly. Door will have to be removed and installation of 1060 will have to begin again.*



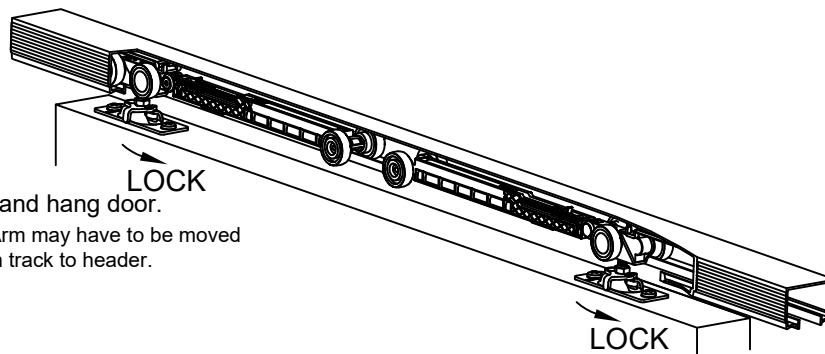
- 4** INSERT 1060 into Track. (Idle wheels first) from each end of the track.



- 5** INSERT 1060 Actuator Arm into track, with back of Actuator Arm 1-1/2" (38mm) from each end of track, (24" doors: Actuator will be flush with end of track). HAND TIGHTEN (do not use power drill) Actuator Arm on track legs. Check to make sure Arm remains straight in track.



- 6** INSTALL track and hang door.
NOTE: Actuator Arm may have to be moved to reattach track to header.



SLOWLY slide door toward Jambs, checking to make sure door touches Jamb, if not. Slide door away from Jamb and readjust Actuator Arm. Slowly close door again, checking to make sure soft close is working properly. Once confirmed, begin using door normally.

INSTRUCTIONS

1060 SOFT CLOSE

1060 Actuator Location / Minimum Door Width ByPass Door Soft Close Installation Layout

