



www.johnsonhardware.com

INSTRUCTIONS

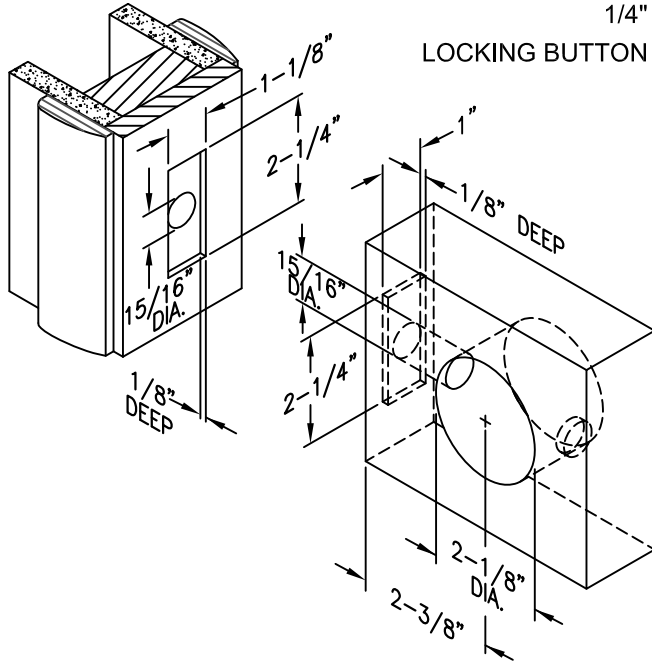
POCKET DOOR PRIVACY LOCK 1534 SERIES for 1-3/4" (45mm) THICK DOORS

IMPORTANT: DO NOT REMOVE SCREWS FROM LOCATING BLOCKS ON PLATE

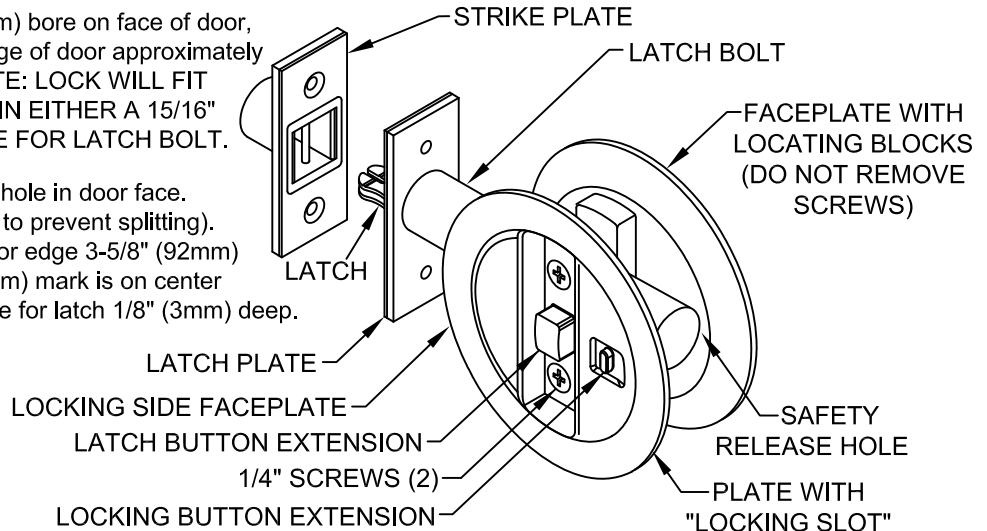
1 MARK DOOR for 2-1/8" (54mm) bore on face of door, and 15/16" (24mm) bore on edge of door approximately 36" (914mm) above floor. **NOTE: LOCK WILL FIT AND FUNCTION PROPERLY IN EITHER A 15/16" (24mm) OR 1" (25.4mm) BORE FOR LATCH BOLT.**

2 BORE HOLES 2-1/8" (54mm) hole in door face. (boring from both sides of door to prevent splitting). Bore 15/16" (24mm) hole in door edge 3-5/8" (92mm) deep. (Make sure 15/16" (24mm) mark is on center of door edge). Mark and mortise for latch 1/8" (3mm) deep.

3 REMOVE STRIKER plate from lock by depressing latch release.



5 INSTALL STRIKER. Slide pocket door closed, hitting jamb to mark location. Drill 15/16" (24mm) hole 1" (25.4mm) deep in center of marks made by latch. Place strike plate in 15/16" (24mm) hole, making sure plate is plumb with jamb, then mark and mortise, 1/8" (3mm) deep. Secure with 3/4" (19mm) screws provided.



4 INSTALL LOCK. Install latch bolt by depressing nylon locking button on bolt to clear 15/16" (24mm) hole, **DO NOT TWIST LOCK WHILE INSERTING IN TO 15/16" (24mm) BORE.** Be sure that locking button is on the locking side desired.

A/ Place plate with lock spacer blocks opposite lock button side into 2-1/8" (54mm) bore. Be sure that the "Safety Release Hole" is toward the rear of door away from latch. Place other face plate, with lock button slot, insert "Locking Button Extension" into locking slot face plate and "Locking Button Extension" over locking button and secure with 1/4" (6.4mm) screws provided.

B/ Snap "Latch Button Extensions" onto latch button ends. **C/ Fasten** latch plate in mortise with 3/4" (19mm) screws provided.

