



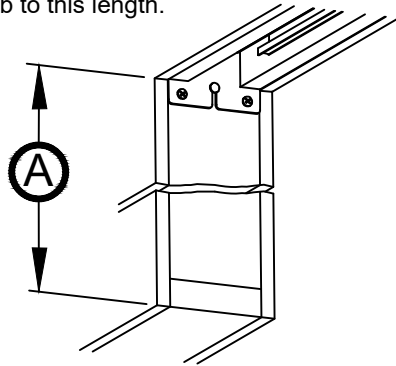
www.johnsonhardware.com

# INSTRUCTIONS

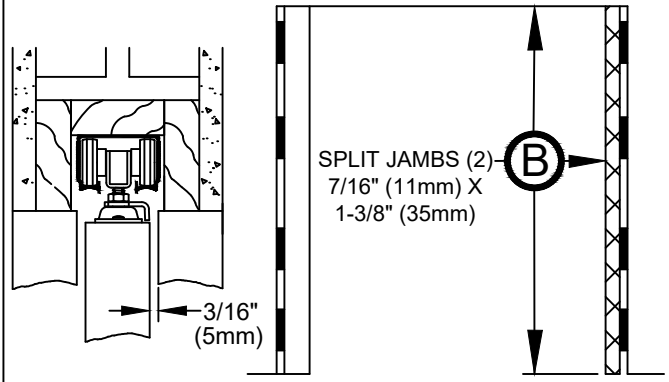
## 1510/1511 SERIES POCKET DOOR FRAME JAMB KIT

For 4-9/16" (116mm) WALLS  
FITS UP TO  
3'0" (914mm) X 6'8" (2,032mm) DOORS  
FOR 1-3/8" (35mm) DOORS ONLY

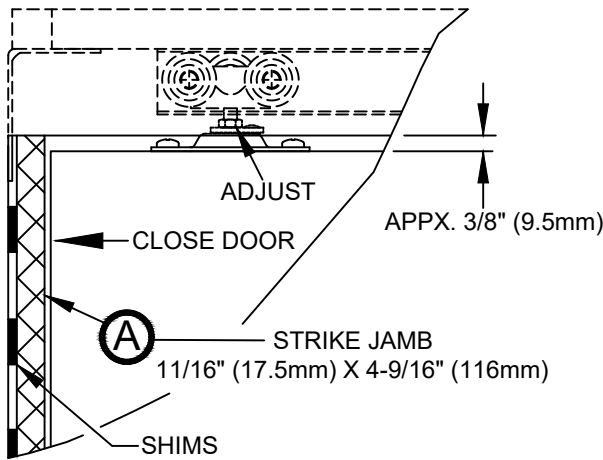
**1 INSTALL** Pocket Door Frame following instructions as normal, including drywalling around opening. Carefully measure height "A" (from floor to bottom of frame header). Cut 1 1/16" (17.5mm) X 4-9/16" (2,032mm) Strike Jamb to this length.



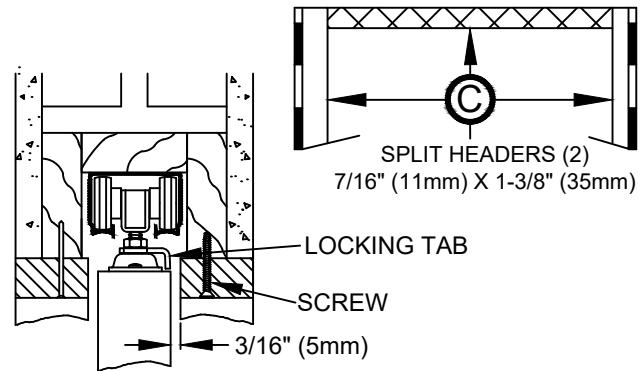
**2 OPEN** door fully (door will protrude into opening) and cut split jambs to "B". Fasten to front edge of frame. Maintain minimum 3/16" (4.7mm) clearance on both sides of door. Raise or lower hangers to plumb door with split jambs.



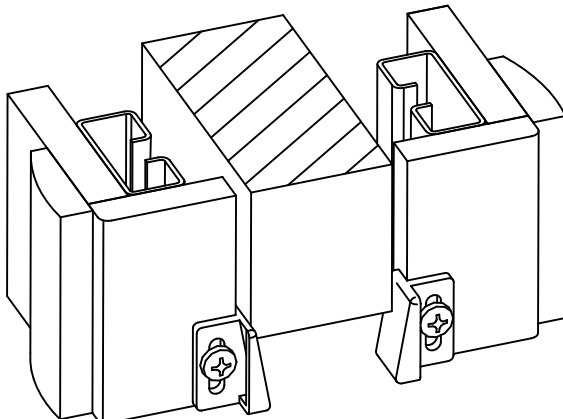
**3 SHIM** and plumb strike jamb (wide piece) with door.



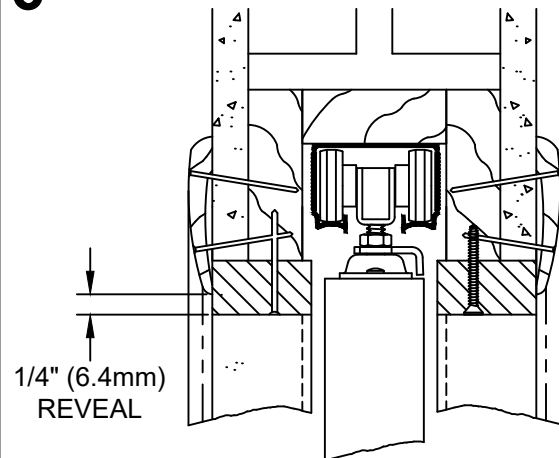
**4 CAREFULLY** cut split headers to "C" determine side of hangers with lock arm and fasten this header with screws for easy removal. Nail other side. Here, too, maintain 3/16" (4.7mm) on each side of door.



**5 FASTEN** bottom door guides so that door stays in center of pocket, yet travels easily without binding.



**6 FINISH** with your choice of casings (not included).





www.johnsonhardware.com

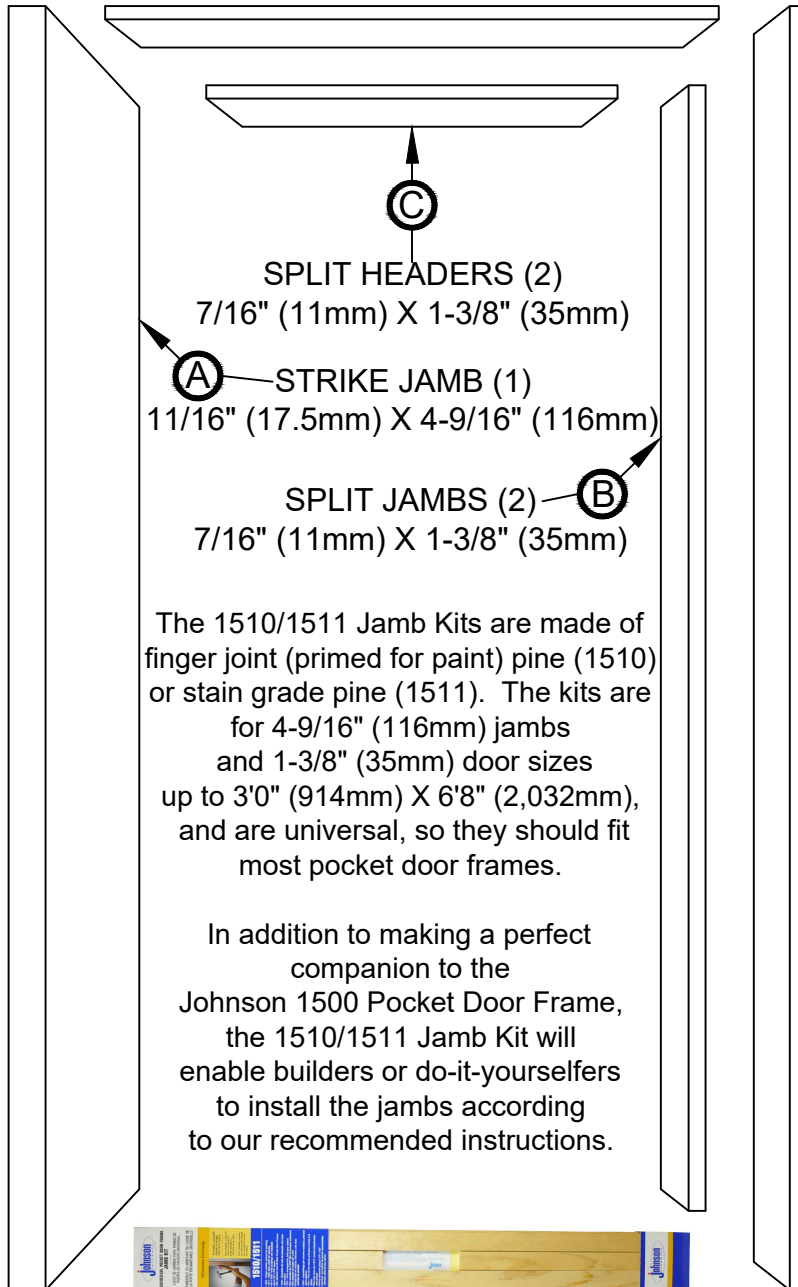
# INSTRUCTIONS

## 1510/1511 SERIES POCKET DOOR FRAME JAMB KIT

For 4-9/16" (116mm) WALLS  
FITS UP TO  
3'0" (914mm) X 6'8" (2,032mm) DOORS  
FOR 1-3/8" (35mm) DOORS ONLY

### GENERAL DESCRIPTION

A fast, convenient method of finishing Pocket Door Frames.  
Just cut to length and install--no ripping of special thickness stock.  
Pre-sanded so finishing is a snap.  
(Since a wide variety of casings are available, they are not included.)



The 1510/1511 Jamb Kits are made of finger joint (primed for paint) pine (1510) or stain grade pine (1511). The kits are for 4-9/16" (116mm) jambs and 1-3/8" (35mm) door sizes up to 3'0" (914mm) X 6'8" (2,032mm), and are universal, so they should fit most pocket door frames.

In addition to making a perfect companion to the Johnson 1500 Pocket Door Frame, the 1510/1511 Jamb Kit will enable builders or do-it-yourselfers to install the jambs according to our recommended instructions.