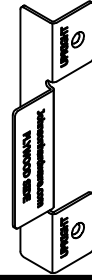




www.johnsonhardware.com

# INSTRUCTIONS

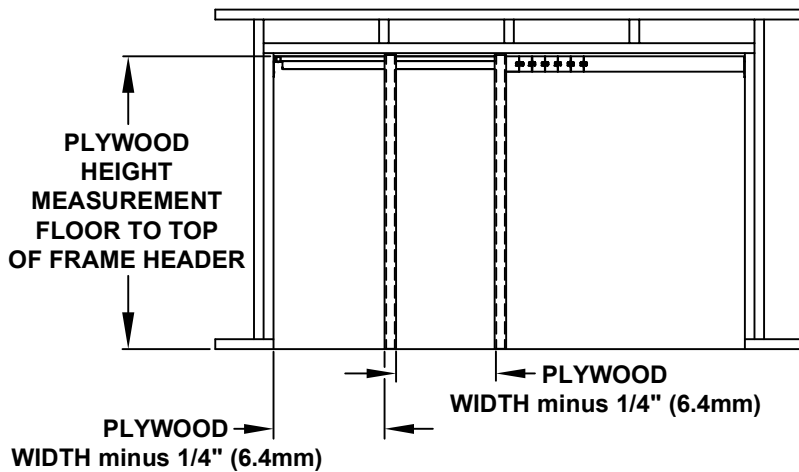
## 1515-PLY SERIES POCKET DOOR FRAME PLYWOOD REINFORCEMENT BRACKETS



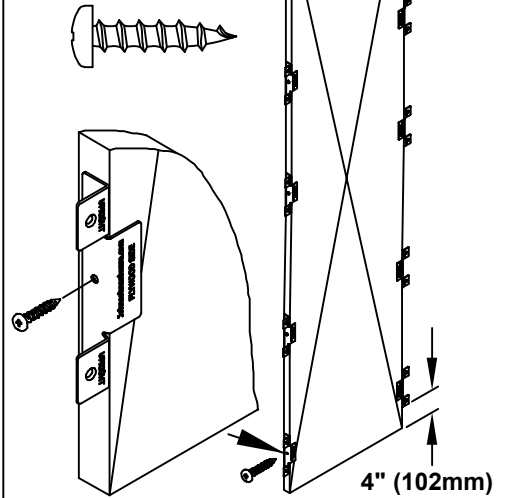
Use w/1500-1500HD-1500SC-1560-1562-2000-2060 Series Pocket Door Frames  
(Instructions are for a Pocket Door Frame with a door up to 3/0 wide)

**1 INSTALL** Pocket Door Frame per Pocket Door Frame instruction sheet.

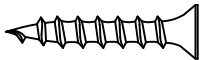
**2 MEASURE** space between studs and subtract 1/4" (6.4mm).  
Cut plywood sheet to size, height should be the measurement from the floor to the top of the pocket frame header.



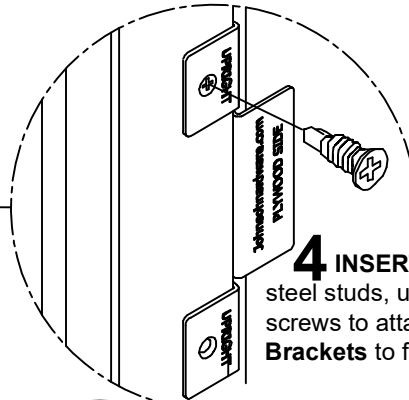
**3 ATTACH** Plywood Clip Brackets as shown to each piece of plywood using 3/4" (19mm) x #6 Pan Head Screws.



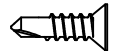
**5 ATTACH** top of plywood sheets to header with 1" (25mm) X #8 Flat Head Screw.



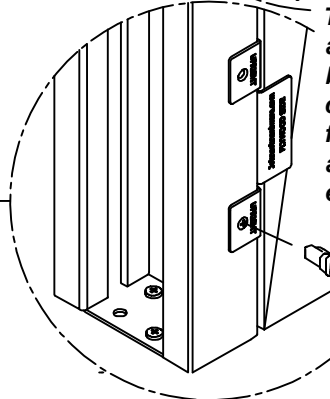
**5/8" (16mm)  
PLYWOOD  
ALL  
FRAMES**



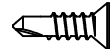
**4 INSERT** "tip in" plywood sheets between steel studs, use FOUR of 1/2" (12.5mm) drill point screws to attach **TOP** Most holes in **Top Brackets** to frames studs and rough stud.



*THESE 16 screws are only needed in the very top and very bottom holes in the top and bottom brackets. These screws are only needed for the construction phase to ensure the plywood does not fall out of rough opening prior to drywall being applied. The drywall application is what buttons everything up and holds everything in place.*



**4 INSERT** "tip in" plywood sheets between steel studs, use FOUR of 1/2" (12.5mm) drill point screws to attach **BOTTOM** Most holes in **Bottom Brackets** to frames studs and rough stud.

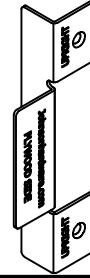




www.johnsonhardware.com

# INSTRUCTIONS

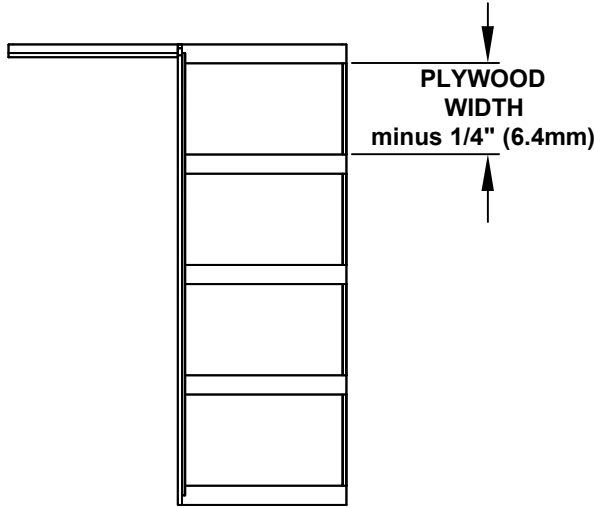
## 1515-PLY SERIES POCKET DOOR FRAME PLYWOOD REINFORCEMENT BRACKETS



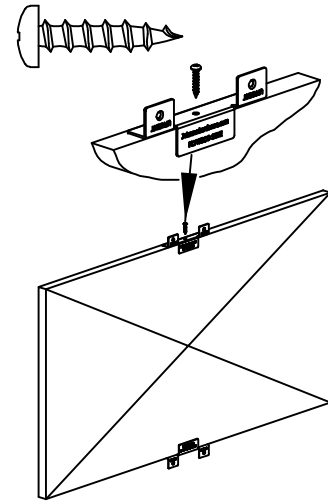
Use with "BOX TYPE" Pocket Door Frames  
Use 3/4" (19mm) PLYWOOD

**1 INSTALL** Pocket Door Frame per Pocket Door Frame instruction sheet.

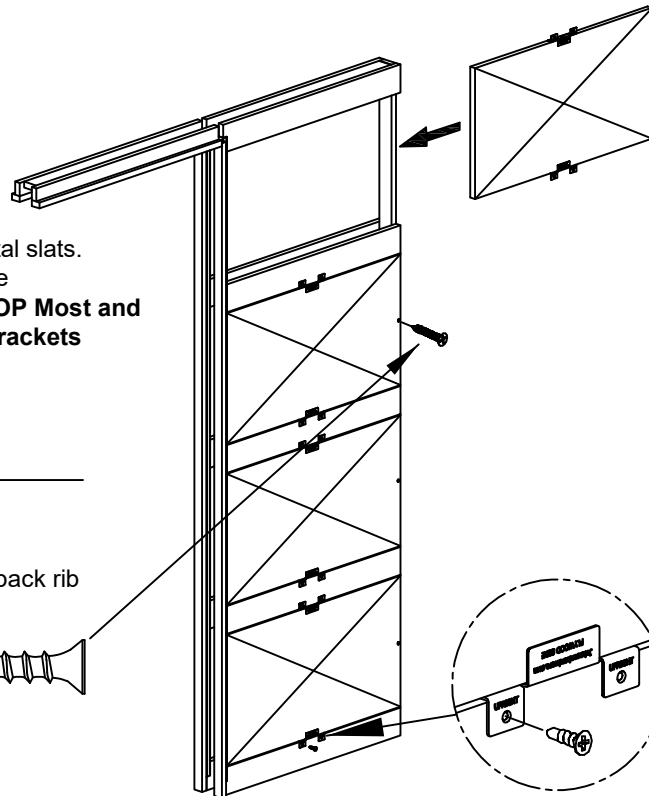
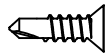
**2 MEASURE** space between horizontal slats and subtract 1/4" (6.4mm).  
Cut plywood sheet to size, length should be equal to door width.



**3 ATTACH** Plywood Clip Brackets as shown to each piece of plywood using 3/4"(19mm) x #6 Pan Head Screws.



**4 INSERT** plywood sheets between horizontal slats. Slide end of plywood into steel stiffener. Use 1/2"(12.5mm) drill point screws to attach **TOP Most and BOTTOM Most holes in Top & Bottom Brackets** to wood slats.



**5 ATTACH** end of plywood sheets to frame back rib with 1" (25mm) X #8 Flat Head Screw.

