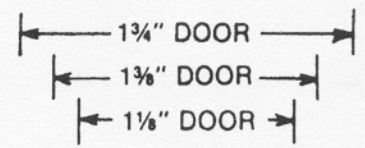


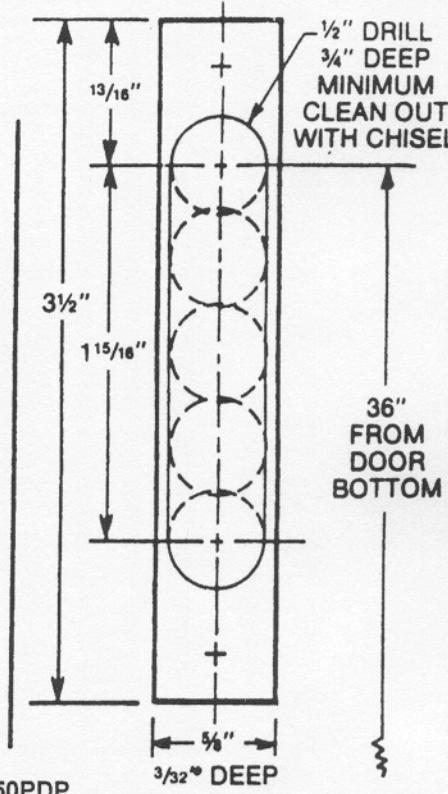
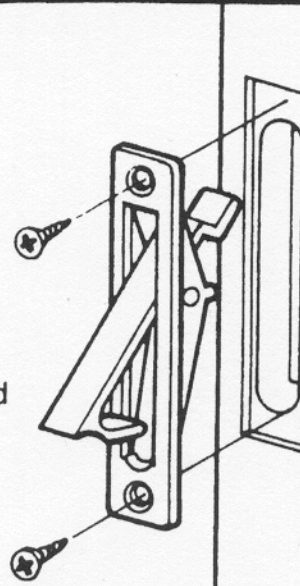


# INSTRUCTIONS

## # 150 Pocket Door Edge Pull



Place door on edge and brace firmly. Mark a line on edge of door 36" from bottom. Use template at right or measure carefully. Drill two 1/2" holes at least 3/4" deep. Clean out area between holes 3/4" deep. Drop Pull into slot. Make sure TOP of Pull is uppermost. Mark around edge of face plate with sharp knife and remove Pull. Use a sharp chisel to recess 3/32" deep around inside edge of these lines. When Pull fits precisely into position, fasten with screws provided.

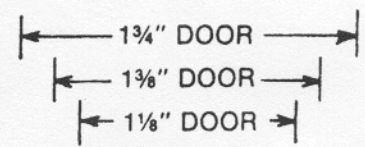


L.E. JOHNSON PRODUCTS, INC. • 2100 STERLING AVE. • ELKHART, IN 46516 USA IN150PDP

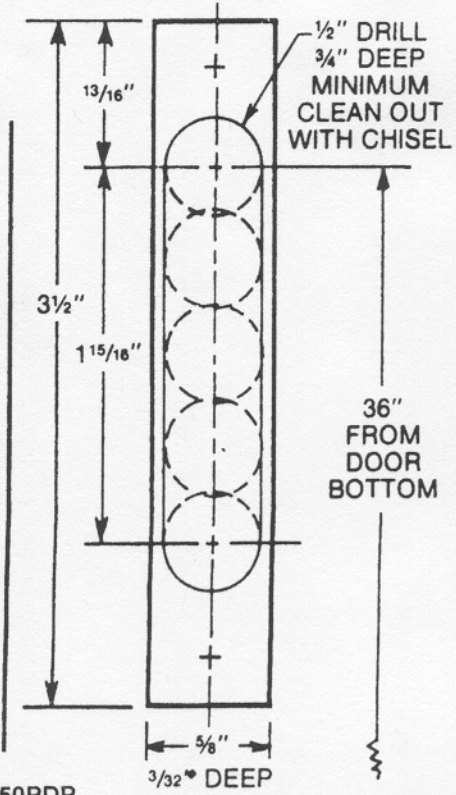
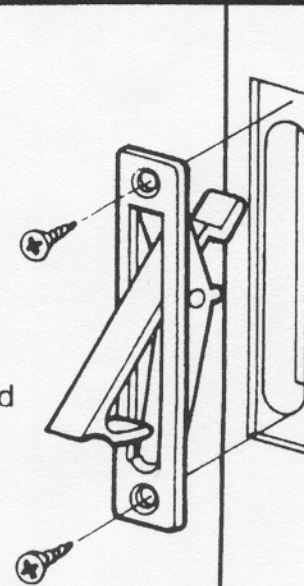


# INSTRUCTIONS

## # 150 Pocket Door Edge Pull



Place door on edge and brace firmly. Mark a line on edge of door 36" from bottom. Use template at right or measure carefully. Drill two 1/2" holes at least 3/4" deep. Clean out area between holes 3/4" deep. Drop Pull into slot. Make sure TOP of Pull is uppermost. Mark around edge of face plate with sharp knife and remove Pull. Use a sharp chisel to recess 3/32" deep around inside edge of these lines. When Pull fits precisely into position, fasten with screws provided.



L.E. JOHNSON PRODUCTS, INC. • 2100 STERLING AVE. • ELKHART, IN 46516 USA IN150PDP