

INSTRUCTIONS

2000 Series Pocket Door Frame

FOR 4" THICK WALLS
 For doors up to 1 3/4" thick, with a maximum weight of 300 lbs.
 Converging doors require 2 frames and the 2050 Converging Door Kit.*

DIRECTIONS FOR INSTALLING STANDARD 6' 8" (80"/203.2 cm) HIGH DOORS

(For shorter door, lower header a like amount. For longer doors, write factory.)

PREPARE ROUGH OPENING: MINIMUM rough opening height is 86 3/4" but it is not necessary to have any rough header above the frame with 8'0" ceilings. Rough opening width is determined by doubling door width and adding 1" (or, if using standard width doors, measuring header length). For example, a 36" door opening would be 73". Plumb rough studs if necessary.

On rough studs at each side of opening, measure 83" from a sub floor, or 82 1/4" from slab or finished floor. At this height, and centered on each stud, drive a flat head nail until approximately 1/8" protrudes. Header end plates will slip over these nails.

Position frame header, with "nailer board" at the door opening end, and slip end plate over nails. LEVEL header with level on track (Door will not stay in place if track is not level). Seat nails and finish nailing through remaining holes in end plates.

Draw lines, or snap chalk lines, on floor in opening parallel to both sides of wall. Slip split jambs over ears on bottom plate, position and plumb split jambs on header and nail to header as shown in illus. B. Middle stud is located halfway between front jamb and rough stud. Fasten bottom plates to floor between lines (plumb) using nails, or for slab floors, cement nails or industrial mastic.

Fasten bumper 41" from floor on back edge of door. Apply wall material over pocket as desired. To facilitate nailing, a 2 1/8" wide board may be slipped between split jambs for greater support.

Completely seal all door edges and faces with paint or sealing stain. Best guarantee when staining is to use a good coat of sealer over the stain. **This process seals out moisture and makes the door more resistant to warpage.**

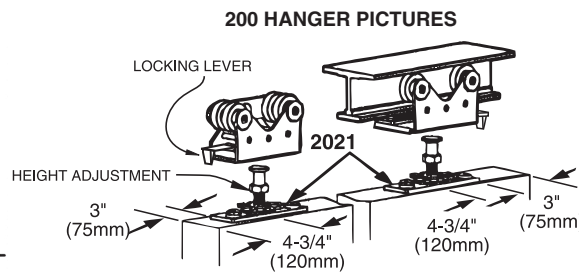
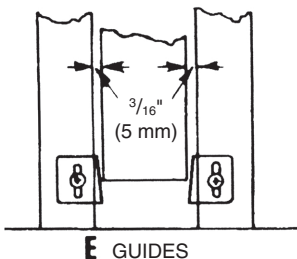
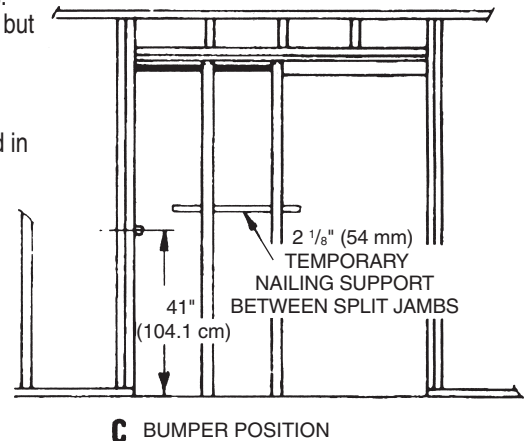
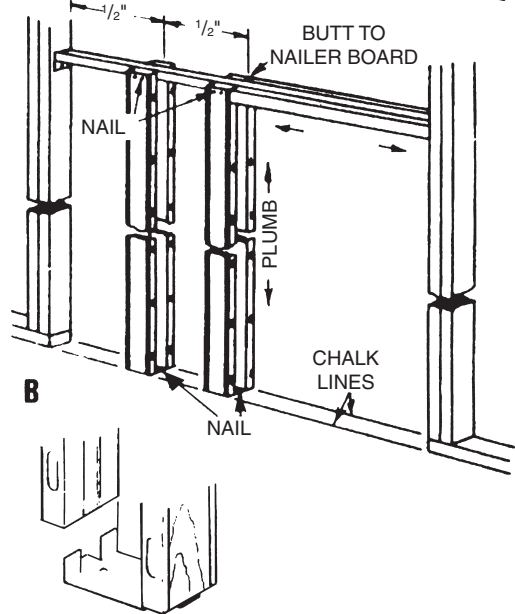
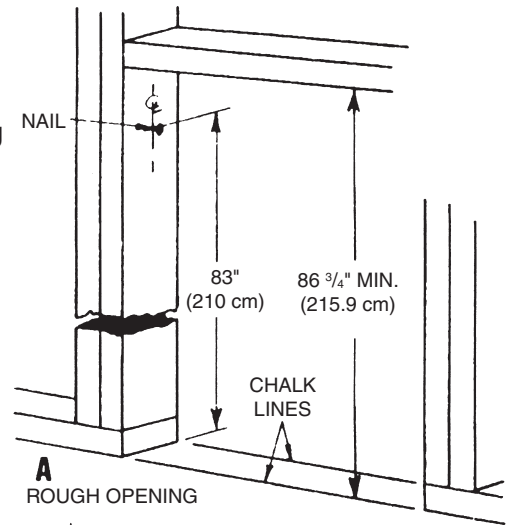
FASTEN HANGERS TO DOOR

Fasten 2021 Door Plate on top edge of door 3" (75mm) from each end on centerline. Drill a hole 1/2" (12.5mm) in diameter 1 1/2" (38mm) deep in center of door 4 3/4" (120mm) from each edge of door. **Attach 2021 Door Plate** to door with four 1 1/4" (32mm) screws. **Converging Door Installation is Different. See 2050 Instructions.* **Be sure locking levers are facing the door edges.** Slip hanger wheel assembly into track through space at jamb. Place door into opening and slip the spindle bolt in wheel assembly. (Make sure nylon lock levers are in "unlocked" position). When both spindles are firmly seated in hanger wheel assembly, push lock levers closed. Adjust door for height and plumb by using spindle adjusting screws to raise or lower doors, then tighten hex locknut to secure setting.

Install finish jambs first, butting ends against header nailer. When installing stops of the split jambs, allow 3/16" clearance on each side of the door to allow for possible door warpage. Install header stops to nailer, using screws on one side for future adjustments. Install side casing. Fit header casing and fasten to either header nailer or header stop - but not both - so that adjustments can be made without damage to finish trim.

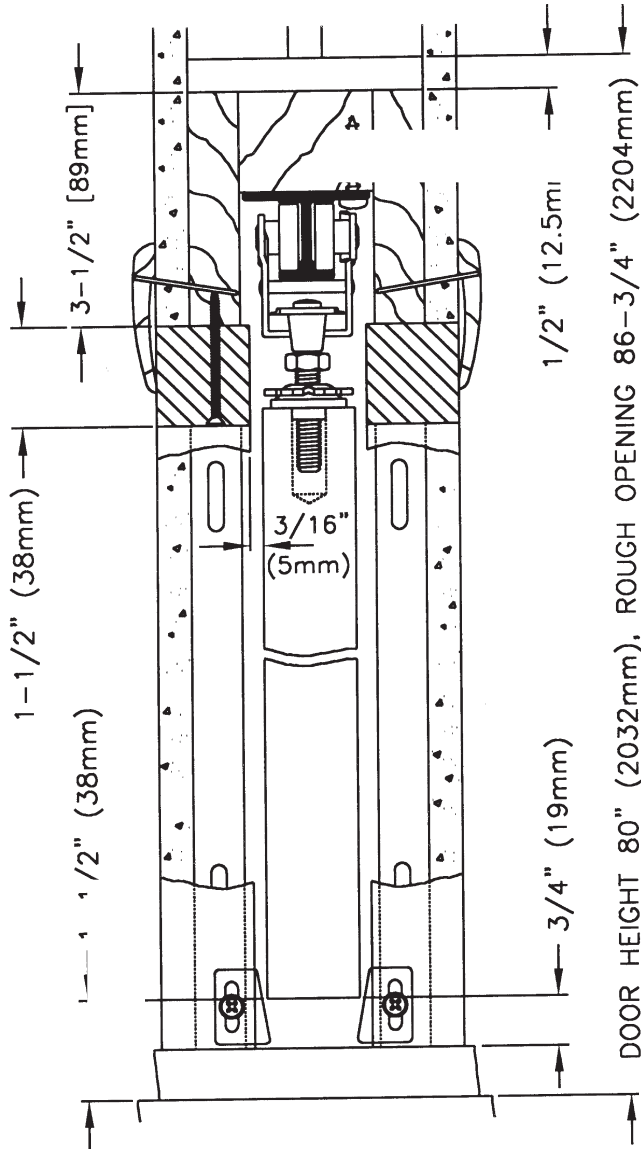
Install bottom guides as shown. Adjust so they hold door in position without binding.

Install Johnson 1521 Privacy Pocket Door Lock. Instructions for installation are included in each lock package.



SUGGESTED TRIM APPLICATION

2000PDF FRAME



FASTEN HEAD STOP WITH SCREWS ON ONE SIDE FOR EASY REMOVAL

OPTIONAL ACCESSORIES



No. 1521
SUNCREST
PRIVACY DOOR LOCK
(With emergency release)

NOTE: ABOVE LOCK /LATCH FOR 1 3/8\"/>



No. 21 PULL



No. 30 PULL
2 1/4\"/>



No. 35 PULL
1 3/4\"/>



No. 40 PULL
1 3/4\"/>



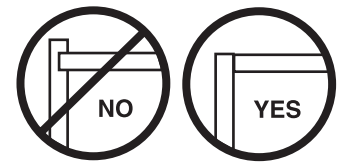
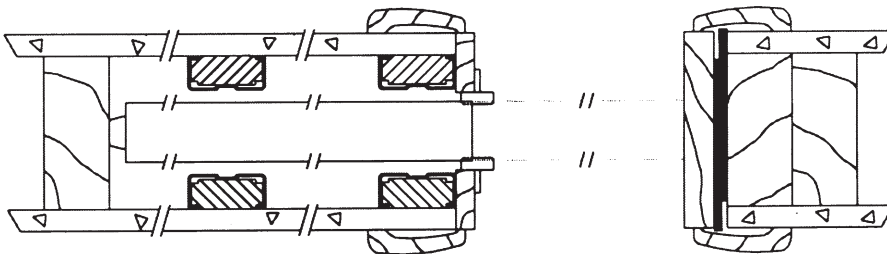
No. 20 PULL
1 3/4\"/>



No. 150 EDGE PULL
(US3 FINISH ONLY)

(WOODTONE)

2000 SERIES - TOP VIEW



TRIM INSTALLATION SEQUENCE

