

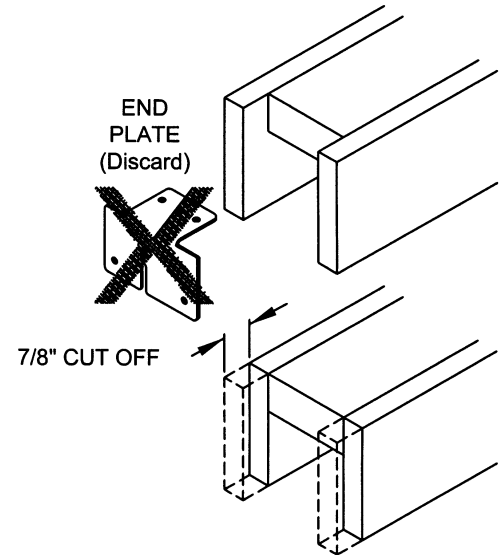
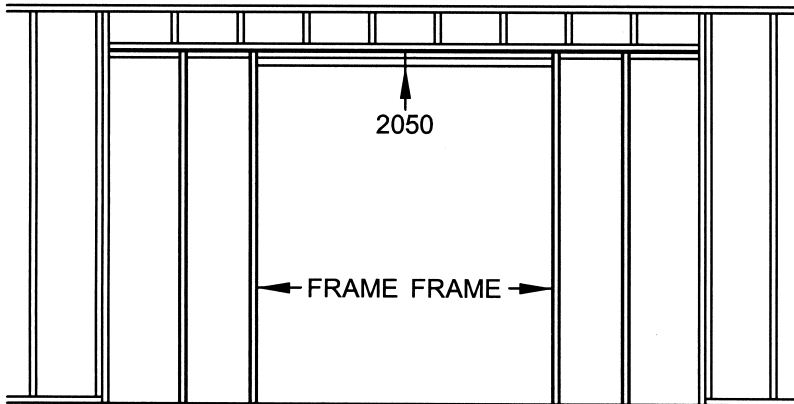


www.johnsonhardware.com

INSTRUCTIONS

2050 CONVERGING DOOR KIT

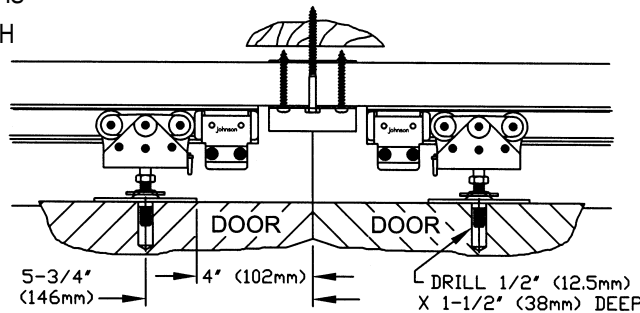
For Use With Two
JOHNSON 2000 Series
Pocket Door Frames



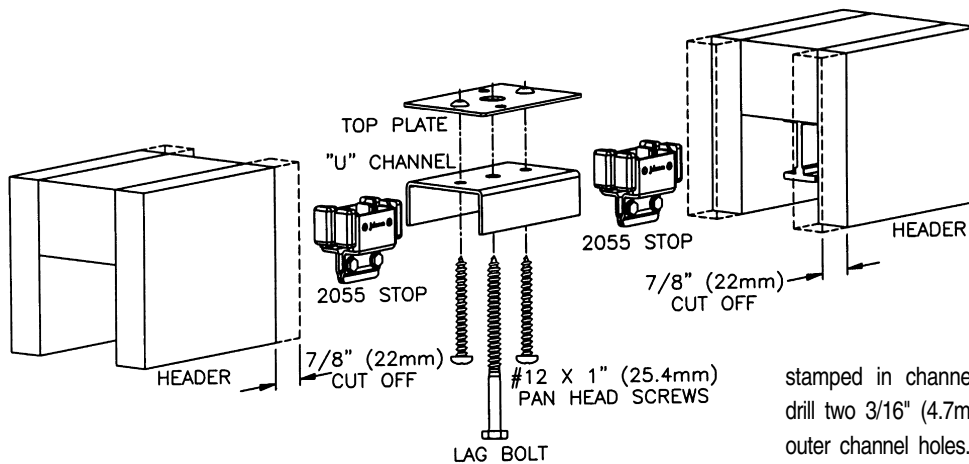
FOR JOHNSON 2000 SERIES POCKET DOOR FRAMES

ROUGH OPENING WIDTH IS

FOUR TIMES DOOR WIDTH



- Remove and discard end plates from “door opening” end of each header.
- Cut 7/8” (22mm) from length of each header (wood part only) where discarded end plates had been located. Cut ends square to keep header straight when joined.



stamped in channel. Using channel as guide, drill two 3/16” (4.7mm) holes through headers at outer channel holes. Insert screws through these holes and into top plate on top of header. Tighten, forming a one-piece header.

2050 CONVERGING DOOR KIT

For joining 2 2000 Series Pocket Door Frames

- Remove and discard end plates from “door opening” end of each header.
- Cut 7/8” (22mm) from length of each header (wood part only) where discarded end plates had been located. Cut ends square to keep header straight when joined.
- Butt cut ends together and insert “U” channel, aligning cut ends of headers with center mark

- Drill a 1/4” (6.3mm) hole at channel center where header ends meet to enable the lag screw to be fastened into rough header for increased center support.
- Insert stops into track and leave loose until doors are hung, then tighten. Proceed with regular frame assembly instructions.
- Mount Door Plates 4” from edge of door.

