

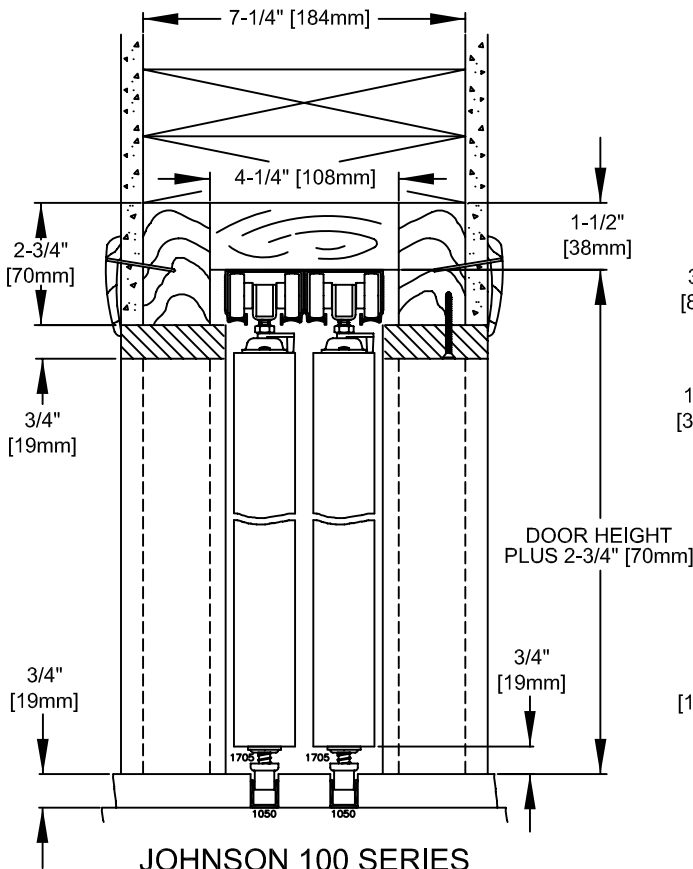
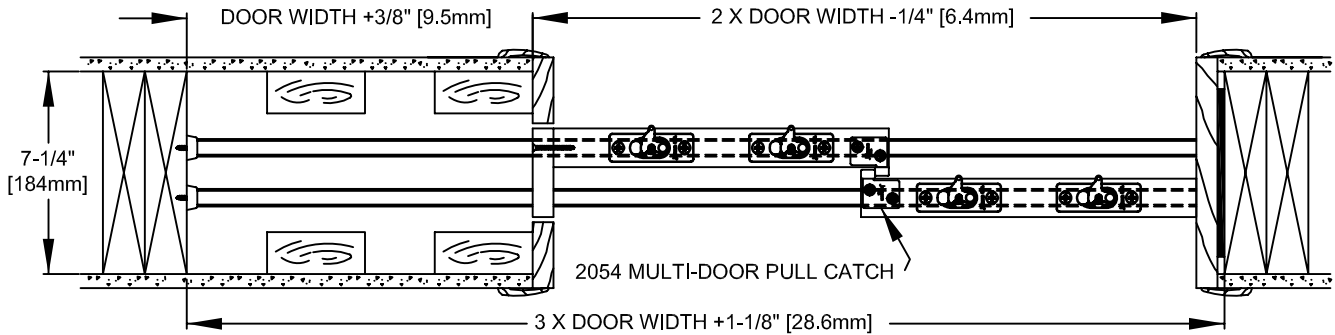


INSTRUCTIONS

MULTI-PASS POCKET DOOR

www.johnsonhardware.com

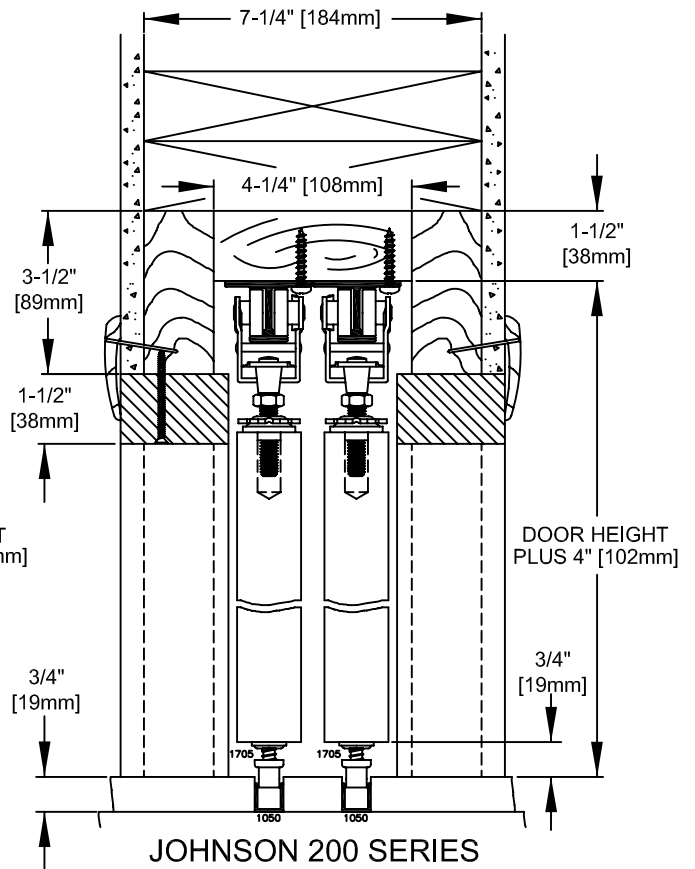
SPECIAL DOUBLE
POCKET APPLICATION
100 PD SERIES OR
200PD SERIES HARDWARE
FOR 1-1/8" (28mm)
TO 1-3/4" (45mm)
100PD - 200 lb. (91 kg.)
200PD - 300 lb (136 kg.)



JOHNSON 100 SERIES

100PD SERIES
NECESSARY COMPONENTS

- 2 - 100 SERIES TRACKS
- 2 - 1050 BOTTOM TRACKS
- 4 - 1125 HANGERS
- 2 - 1513 BUMPER
- 4 - 1705 BOTTOM GUIDES
- 1 - 2054PLBG MULTI-DOOR PULL CATCH
- 1 - 1712 ADJUSTMENT WRENCH
- 1 - 1155 STOP



JOHNSON 200 SERIES

200PD SERIES
NECESSARY COMPONENTS

- 2 - 200 SERIES TRACKS
- 2 - 1050 BOTTOM TRACKS
- 4 - 2020 HANGERS
- 2 - 1513 BUMPER
- 4 - 1705 BOTTOM GUIDES
- 1 - 2054PLBG MULTI-DOOR PULL CATCH
- 1 - 2055 STOP