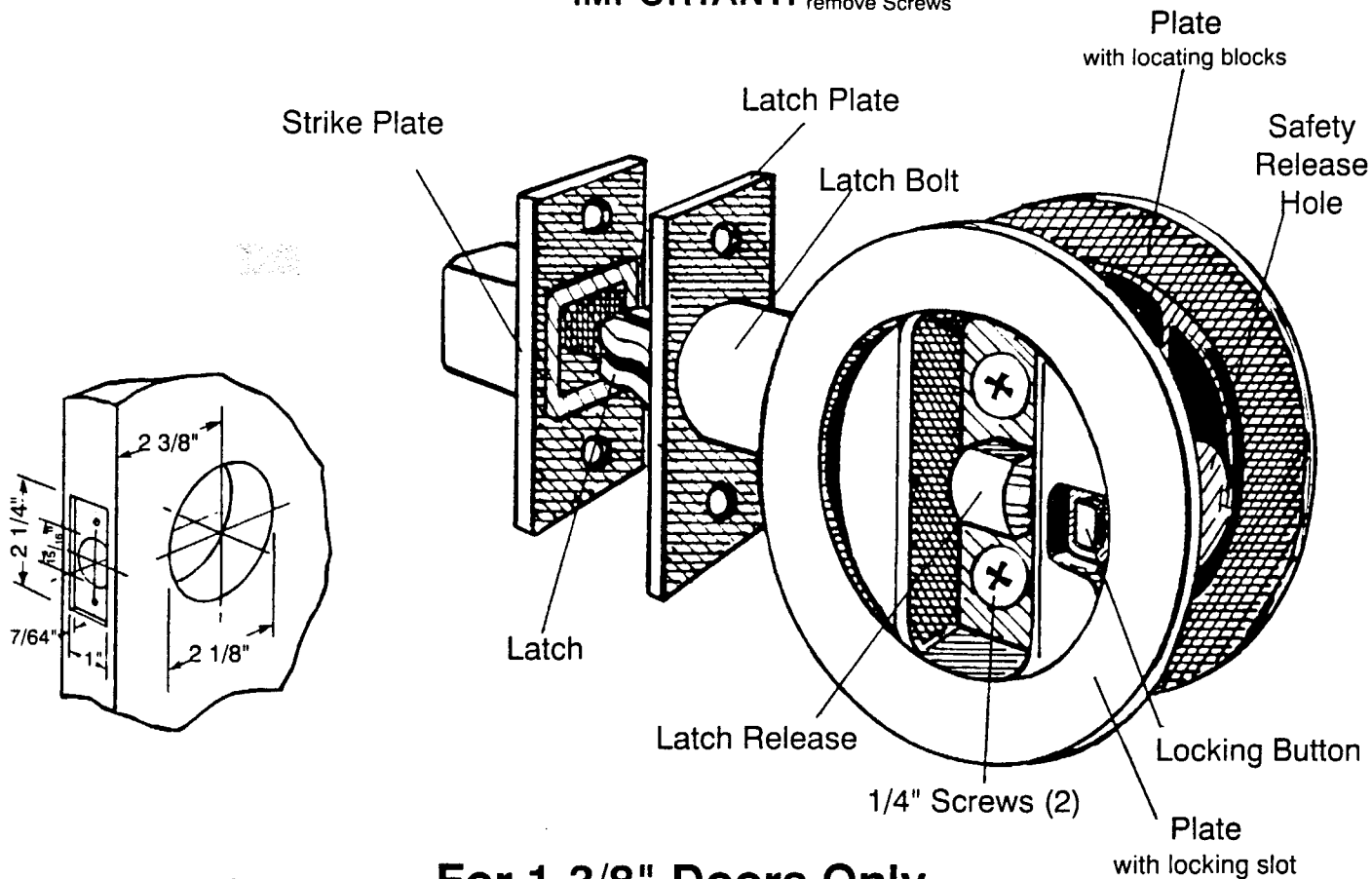


**IMPORTANT:** Do Not  
remove Screws



**For 1-3/8" Doors Only**

**HOW TO  
INSTALL**



## POCKET DOOR PRIVACY LOCKS

**PRIVACY LOCKS  
1521 SUNCREST**

**PASSAGE LOCKS  
1501 SUNCREST**

### **IMPORTANT: DO NOT REMOVE SCREWS FROM LOCATING BLOCKS ON PLATE**

**1. MARK DOOR** Using provided template, mark door for 2-1/8" bore on face of door, and 15/16" \* bore on edge of door approximately 36" above floor. \*NOTE: LOCK WILL FIT AND FUNCTION PROPERLY IN 15/16" OR 1" EDGE BORE FOR LATCH BOLT.

**2. BORE HOLES** Bore 2-1/8" hole in door face (Boring from both sides of door to prevent splitting). Bore 15/16" hole in door edge or latch bolt 3-5/8" deep. (Make sure 15/16" mark is in center of door edge). Mark and mortise for latch plate 7/64" deep.

**3. REMOVE STRIKE** Remove strike plate from lock by depressing latch release.

**4. INSTALL LOCK** (If passage is used, continue at step 4a). Install latch bolt by depressing nylon locking button on bolt to clear 15/16" hole. Be sure that locking button is on the locking side desired.

(A) Place plate with locating blocks opposite locking side into 2-1/8" bore. Be sure that "Safety release hole" is towards rear of door and away from latch. Place other face plate with locking slot over locking button and secure with 1/4" screws provided.

(B) Fasten latch plate in mortise with wood screws provided.

#### **4a. FOR PASSAGE LOCKS ONLY\***

Place latch bolt in 15/16" hole placing latch plate into mortise and secure with wood screws provided. Place plate with locating blocks in 2-1/8" bore over latch bolt and secure opposite plate with 1/4" screws provided.

**5. INSTALL STRIKE** Slide pocket door closed, striking jamb to mark location. Drill 15/16" hole in center of marks made by latch 1" deep.

(C) Place strike plate in 15/16" hole, making sure plate is plumb with jamb, then mark and mortise 3/32" deep. Secure with wood screws provided.

**L.E. JOHNSON PRODUCTS, INC. • 2100 STERLING AVE. • ELKHART, IN 46516**