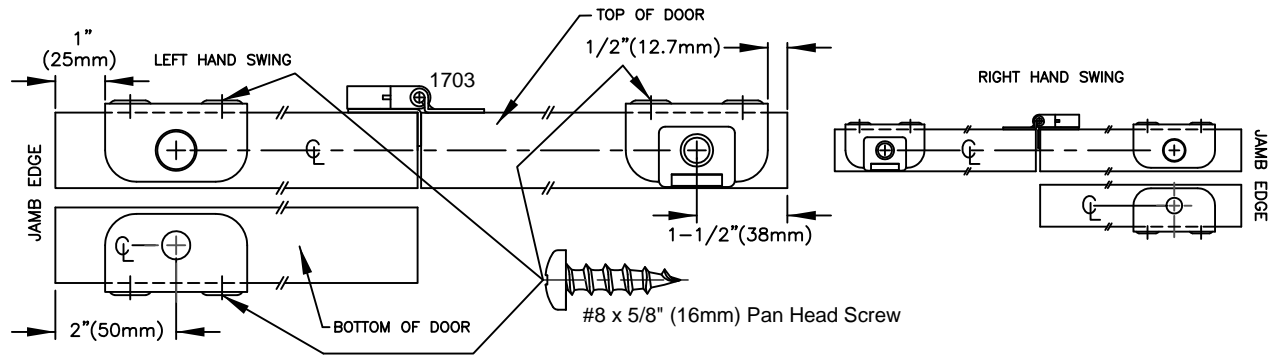
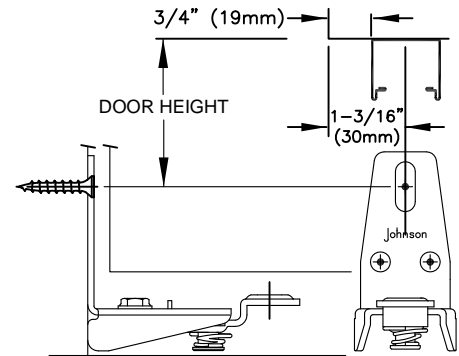


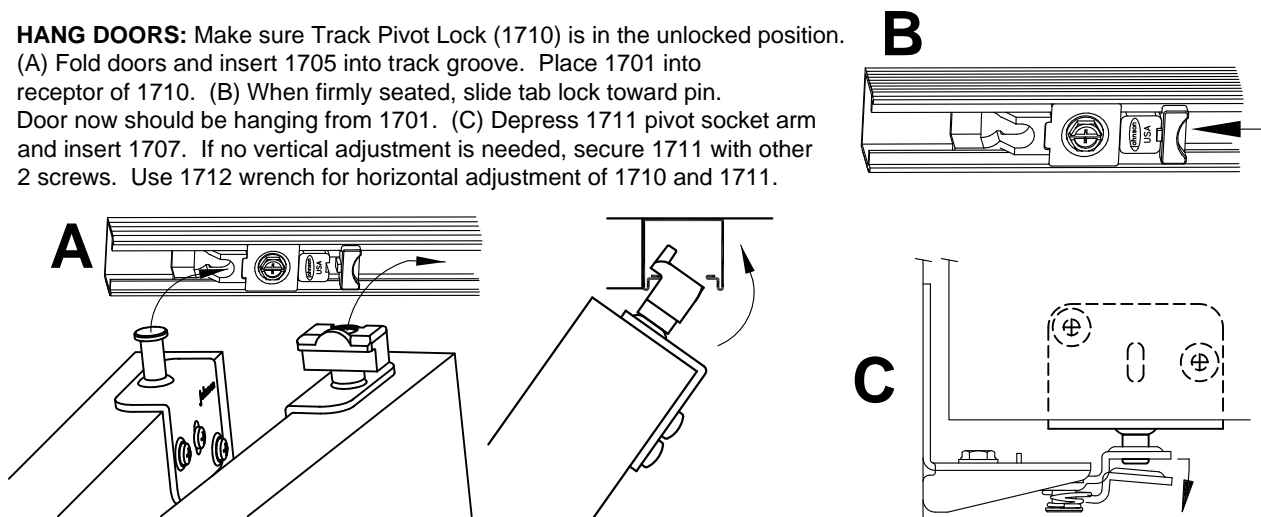
3 FASTEN PIVOT PLATES to top and bottom of doors as shown.



4 MARK LOCATION of Jamb Bracket (1711) on jamb. Fasten 1711 in place with one #8 X 1-1/4" (32mm) flat head screw.



5 HANG DOORS: Make sure Track Pivot Lock (1710) is in the unlocked position. (A) Fold doors and insert 1705 into track groove. Place 1701 into receptor of 1710. (B) When firmly seated, slide tab lock toward pin. Door now should be hanging from 1701. (C) Depress 1711 pivot socket arm and insert 1707. If no vertical adjustment is needed, secure 1711 with other 2 screws. Use 1712 wrench for horizontal adjustment of 1710 and 1711.



6 MOUNT KNOB (33). See drawing on front page.
MOUNT ALIGNER (1808) on back side of lead doors (4 door only).

7 ADJUST SNUBBER (1713) Close doors, slide 1713 until it touches 1705. Open doors, move 1713 1/8" (3mm) closer to 1705 and tighten. Doors should "snap" shut yet open easily by a slight pull on the knob.