

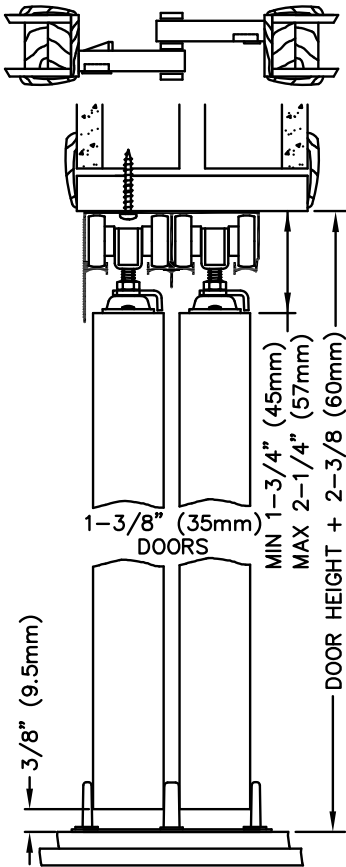


L.E. Johnson Products, Inc.
 2100 Sterling Ave.
 Elkhart, IN 46516
 Ph: (574) 293-5664
 Fax: (574) 294-4697
 info@johnsonhardware.com
 www.johnsonhardware.com



138F

Commercial Bypass Track and Hardware
 for 1 3/8" Thick Panels to 125 lbs. (200 lbs. w/1125 Hanger) per Panel



The finest bypass hardware sets you can buy. Ideal for those luxury homes or commercial installations where quality, trouble free, long life is a necessity. Precision extruded aluminum track features Johnson's line-design fascia to hide fingerprints or to hold paint if desired. Tricycle hangers ride smoothly on convex shaped rails with a single point contact and are adjustable for height. Available package sets to 8', bulk by component with track to 16'.

138F Exceptional Features

Deluxe Aluminum Track Design

Strong aluminum track is precision extruded. Available in clear mill finish or anodized bronze finish. Attractive line design fascia hides fingerprints, holds paint, enhances appearance of both door by hiding

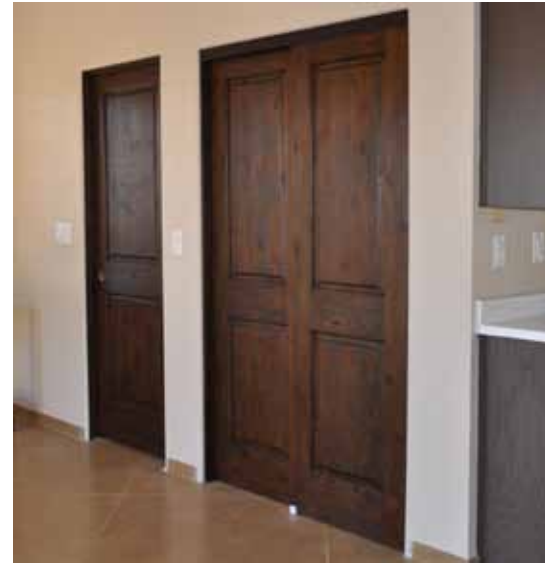
gap at top of door. Convex rails provide one point contact for wheels to ride on. Dirt traps on both sides allow hanger wheel to keep free from troublesome dust.

Balanced-Wheel Hangers

Tricycle hanger design gives even weight distribution to track rails, will not bind. Machine turned, balance nylon wheels for feather touch operation. Height adjustment allows for changes in structure. Door mount or dismount with a flip of a clip.

Adjustable Door Guide

Doors are held in firm alignment by attractive woodtoned bottom guides. Pivoting molded nylon guide posts are always true with door and adjustable for slight door thickness variations.



Complete Hardware Set

138F Track



2135 Door Guide



30 Pull (2 1/8" dia.)



1155/2155 Stops (4 Door Sets Only)



138F Track Bronze



1120 Hanger



138F HD and Bronze include 1125 Hanger and 2035 Guide



Plus all screws and instructions

Compatible with optional 1060 Soft Close Assembly

SOFT-Close/Open

See online at: www.johnsonhardware.com/138F.htm





118F/138F/134F Installation Overview

PREPARE OPENING CAREFULLY: MAKE SURE CORNERS ARE SQUARE, HEADER IS LEVEL AND JAMBS ARE STRAIGHT.

PREPARE LA ABERTURA CON CUIDADO: ASEGÚRESE QUE LAS ESQUINAS, ESTÉN EN ESCUADRA, QUE LA CABECERA ESTE NIVELADA, Y QUE LAS JAMBAS ESTÉN RECTAS.

PREPAREZ L'OUVERTURE AVEC PRECAUTION: ASSUREZ VOUS QUE LES COINS SONT A ANGLE DROIT, QUE LE LINTEAU EST A NIVEAU ET QUE LES MONTANTS SONT DROITS.

