

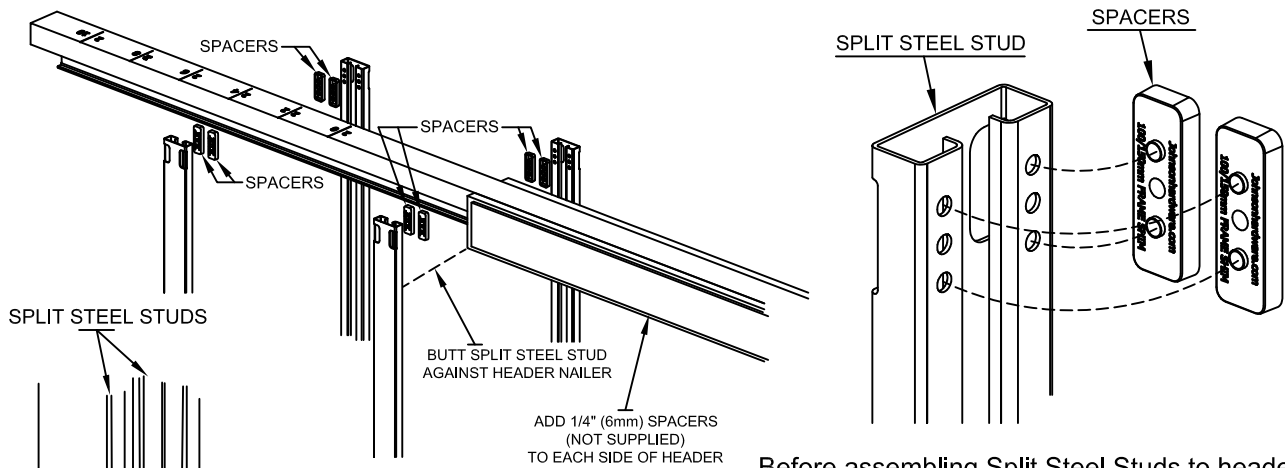


# INSTRUCTIONS

FOR USE WITH JOHNSON  
1560, 1562 SERIES  
POCKET DOOR FRAMES ONLY

www.johnsonhardware.com

## 1576 POCKET DOOR FRAME ADAPTER KIT FOR 6" (150mm) STEEL STUD WALLS



Discard standard Floor Brackets and replace with 6" (150mm) Floor Brackets.

Before assembling Split Steel Studs to header, snap nylon spacer pads onto top end of each stud. (Small sleeves fit into Split Stud screw holes). Screw studs into place as instructed in 1560 or 1562 assembly instructions.